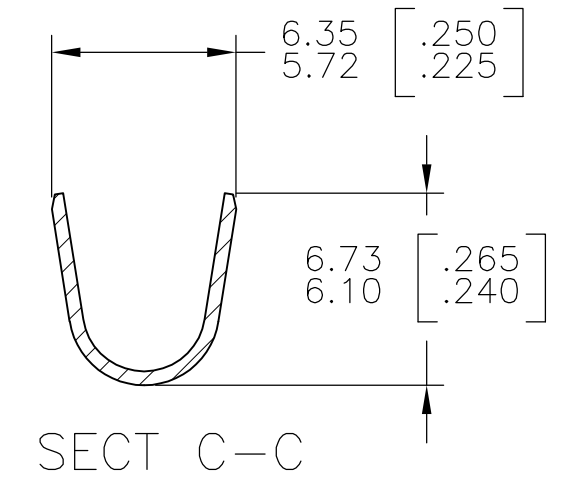
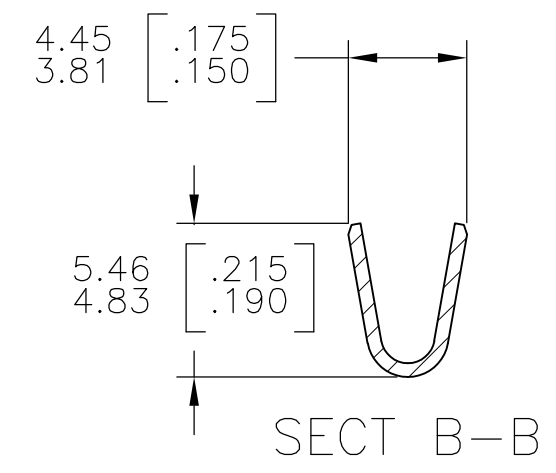
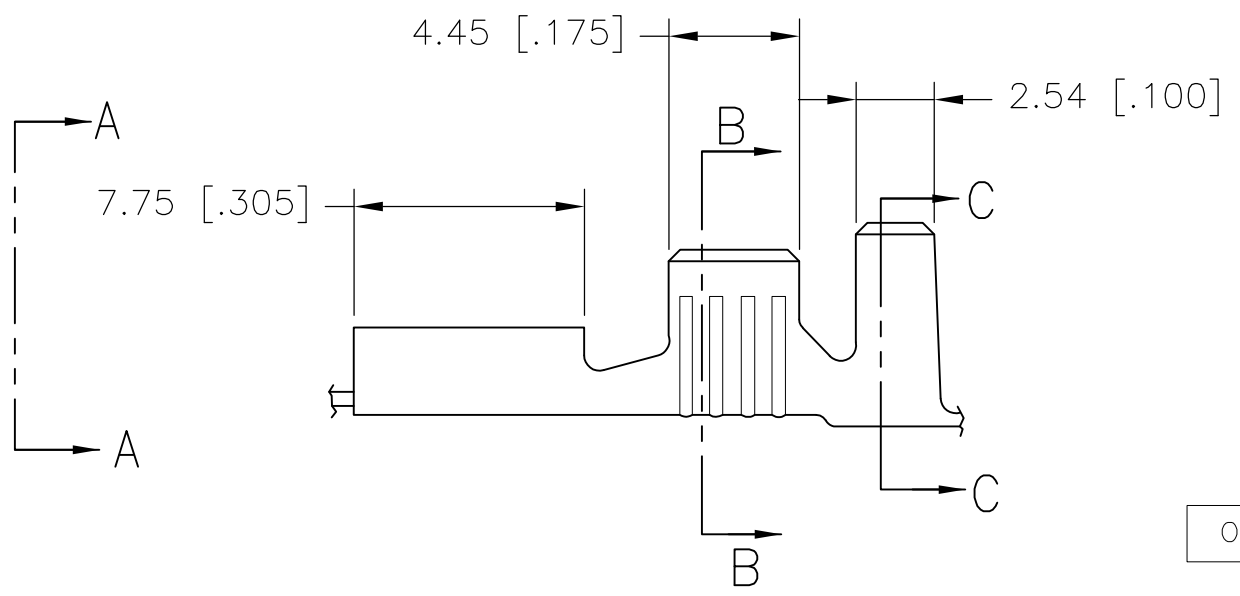
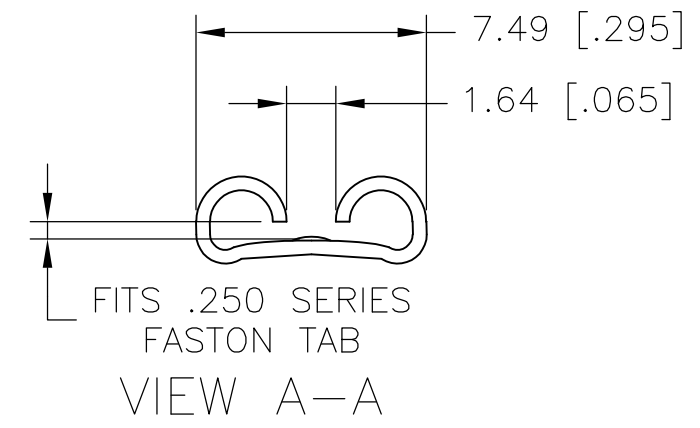
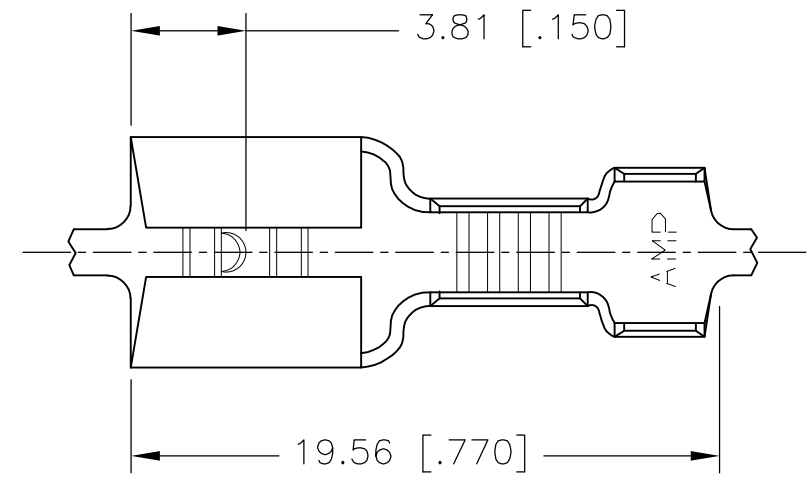


THIS DRAWING IS UNPUBLISHED. RELEASED FOR PUBLICATION  
 © COPYRIGHT - By - ALL RIGHTS RESERVED.

LOC	DIST	REVISIONS					
AF	50	P	LTR	DESCRIPTION	DATE	DWN	APVD
			Y1	REVISED PER ECR-12-013445	26NOV2012	KH	PD

- 1 DIM'S IN BRACKETS ARE IN INCHES.
- 2 CONTINUOUS STRIP ON REELS.



OBSOLETE	3.81-5.08 [.150-.200] DIA	2.0 - 5.0mm2 [14-10] AWG	0.81 [.032]	NICKEL	41449-2
	INSUL RANGE	WIRE SIZE	MATING TAB THK ±0.025[.001]	-	41449
				FINISH	PART NO.

0	5.33 [.210]	5.59 [.220]	F	3.30 [.130]	2.90 [.114]	5.0mm2[10]
					2.39 [.094]	3.0mm2[12]
					2.08 [.082]	2.0mm2[14]
TYPE	WIDTH	STRIP LENGTH ±0.38 [±.015]	TYPE	WIDTH	±.051[±.002] HEIGHT	WIRE
INSUL BARREL CRIMP	WIRE BARREL CRIMP					

THIS DRAWING IS A CONTROLLED DOCUMENT.

DIMENSIONS: mm [INCHES]

TOLERANCES UNLESS OTHERWISE SPECIFIED:

0 PLC	± -
1 PLC	± -
2 PLC	± .025 [.010]
3 PLC	± -
4 PLC	± -
ANGLES	± -

MATERIAL: BRASS      FINISH: SEE TABLE

DWN: JR RUTH 2/7/86  
 CHK: G YETTER 2/7/86  
 APVD: C MEYERS 2/7/86

STE TE Connectivity

RECEPTACLE, FASTON, 6.35 [.250] SERIES

SIZE: A3    CAGE CODE: 00779    DRAWING NO: C-41449    RESTRICTED TO: -

CUSTOMER DRAWING    SCALE: 4:1    SHEET: 1 OF 1    REV: Y1